

Performance	ENGLISH	SI	OPTIONAL VERSIONS
Sensitivity ($\pm 20\%$)	1 mV/g	0.1 mV/(m/s ²)	Optional versions have identical specifications and accessories as listed for the standard model except where noted below. More than one option may be used.
Measurement Range	± 1500 g pk	$\pm 14,715$ m/s ² pk	
Frequency Range (-5%) (Y & Z - axis)	0.5 to 2500 Hz	0.5 to 2500 Hz	[2]
Frequency Range (-5%) (X-axis)	0.5 to 3000 Hz	0.5 to 3000 Hz	[2]
Resonant Frequency	≥ 25 kHz	≥ 25 kHz	[1]
Broadband Resolution (1 to 10,000 Hz)	0.005 g rms	0.05 m/s ² rms	[3]
Non-Linearity	$\leq 1\%$	$\leq 1\%$	
Transverse Sensitivity	$\leq 5\%$	$\leq 5\%$	
Environmental			
Overload Limit (Shock)	± 7000 g pk	$\pm 68,500$ m/s ² pk	[1]
Temperature Range (Operating)	-55 to +250 °F	-54 to +121 °C	
Temperature Response	See Graph	See Graph	
Base Strain Sensitivity	0.001 g/μt	0.01 (m/s ²)/μt	
Electrical			
Excitation Voltage	20 to 30 VDC	20 to 30 VDC	
Constant Current Excitation	2 to 20 mA	2 to 20 mA	
Output Impedance	≤ 100 ohm	≤ 100 ohm	
Output Bias Voltage	8 to 12 VDC	8 to 12 VDC	
Discharge Time Constant	1.0 to 2.0 sec	1.0 to 2.0 sec	
Settling Time (within 10% of bias)	< 10 sec	< 10 sec	
Spectral Noise (1 Hz)	700 μg/√Hz	6867 (μm/s ²)/√Hz	[1]
Spectral Noise (10 Hz)	250 μg/√Hz	2453 (μm/s ²)/√Hz	[1]
Spectral Noise (100 Hz)	170 μg/√Hz	1658 (μm/s ²)/√Hz	[1]
Spectral Noise (1 kHz)	50 μg/√Hz	481 (μm/s ²)/√Hz	[1]
Physical			
Sensing Element	Ceramic	Ceramic	
Sensing Geometry	Shear	Shear	
Housing Material	Titanium	Titanium	
Sealing	Hermetic	Hermetic	
Size (Height x Length x Width)	0.55 in x 0.80 in x 0.65 in	14.0 mm x 20.3 mm x 14.0 mm	[1]
Weight	0.37 oz	10.5 gm	
Electrical Connector	1/4-28 4-Pin	1/4-28 4-Pin	
Electrical Connection Position	Side	Side	
Mounting Thread	10-32 Female	10-32 Female	
Mounting Torque	10 to 20 in-lb	113 to 225 N-cm	

SUPPLIED ACCESSORIES:

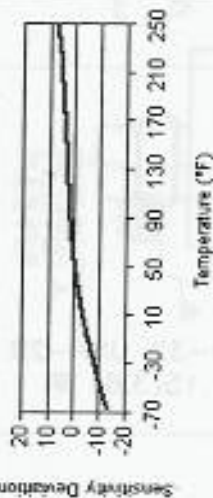
Model 080A105 Petro Wax
 Model 080A12 Adhesive Mounting Base (1)
 Model 080A90 Quick Bonding Gel (1)
 Model 081B05 Mounting Sled (10-32 to 10-32) (1)
 Model AC-5-1T NIST traceable triaxial amplitude response, 10 Hz to upper 5% frequency. (1)

Entered: <i>B.S.</i>	Engineer: <i>LB</i>	Sales: <i>ESR</i>	Approved: <i>AKB</i>	Spec Number
Date: <i>9/13/04</i>	Date: <i>7/23/04</i>	Date: <i>9/25/04</i>	Date: <i>9/13/04</i>	13417

PCB PIEZOTRONICS™
 VIBRATION DIVISION

3425 Warden Avenue, Depew, NY 14043
 Phone: 716-694-0001
 Fax: 716-685-3886
 E-Mail: vibration@pcb.com

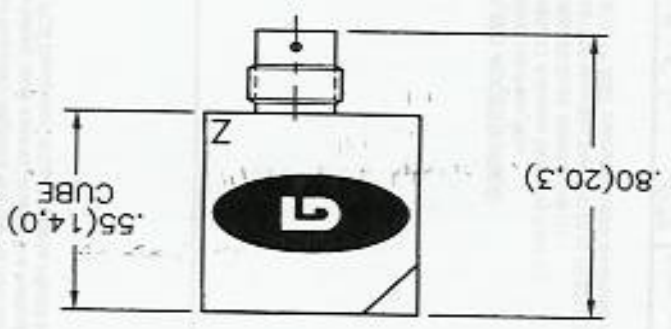
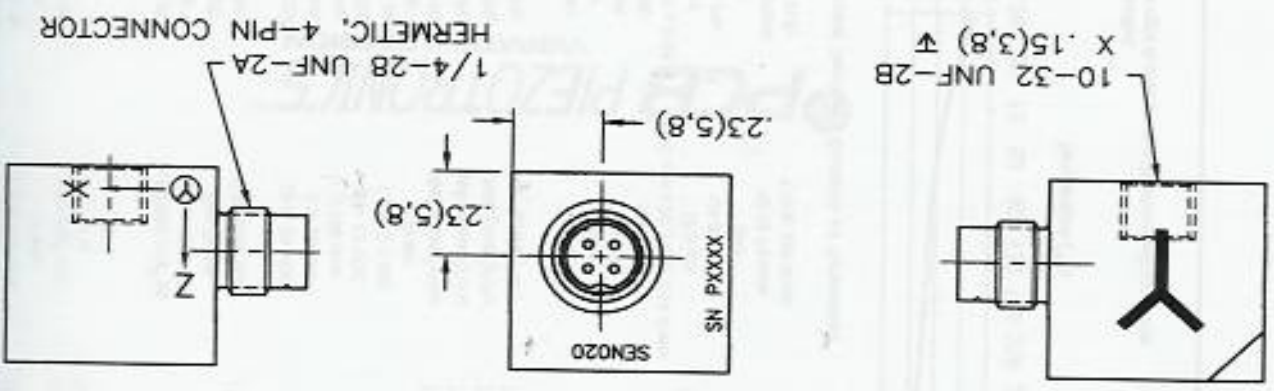
Typical Sensitivity Deviation vs Temperature



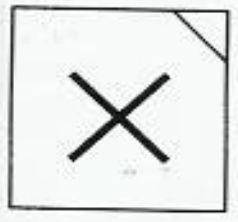
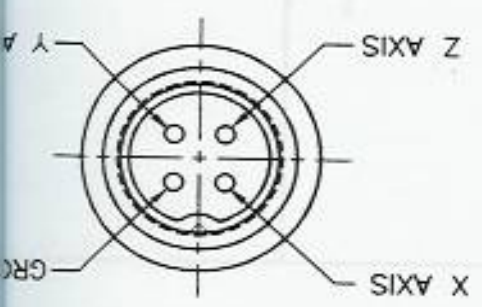
All specifications are at room temperature unless otherwise specified. In the interest of constant product improvement, we reserve the right to change specifications without notice. ICP® is a registered trademark of PCB Group, Inc.

CE [4]

00011 REV. B 03/13/98		SCALE: 2 X		SHEET 1	
DIMENSIONS IN INCHES DECIMALS XX ±.01 XXX ±.005 ANGLES ±2 DEGREES FILETS AND RADI .003 - .005		DIMENSIONS IN MILLIMETERS (IN PARENTHESES) DECIMALS XX ±0.3 XXX ±0.13 ANGLES ±2 DEGREES FILETS AND RADI (0.07 - 0.13)		UNLESS SPECIFIED TOLERANCES	
DRAWN	5/20/98	MFG	HL	6/15/98	6/15/98
CHK'D	SYM	ENGR	HL	6/15/98	6/15/98
APP'D	6/15/98	SALES	SSP	6/15/98	6/15/98
OUTLINE DRAWING MODEL 356M68 ACCELEROMETER					
DWC. NO.		CODE		REV. NO.	
13424		52681		52681	



CONNECTOR PIN DESIGNATION
SCALE: 4X



PCB Piezotronics, Inc. claims proprietary rights in the information disclosed hereon. Neither it nor any reproduction thereof will be disclosed to others without written consent of PCB Piezotronics, Inc.

13424

APPLICATION	NEXT ASSY	USED ON	VAR
-------------	-----------	---------	-----

REV	A	DESCRIPTION	ECN	DATE
REVISED PER ECR			11968	6/9/00